

CHICKEN RUN

USER GUIDE



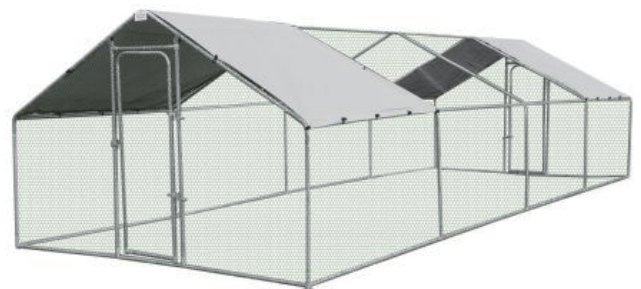
3m x 2m x 2m



3m x 4m x 2m



3m x 6m x 2m

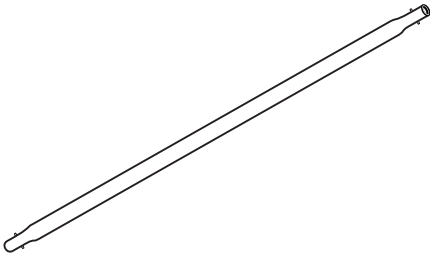
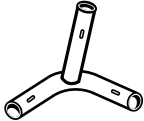
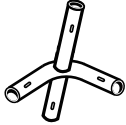
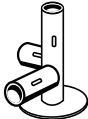

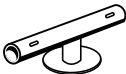
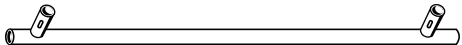
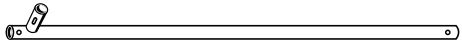
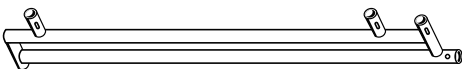








3m x 8m x 2m



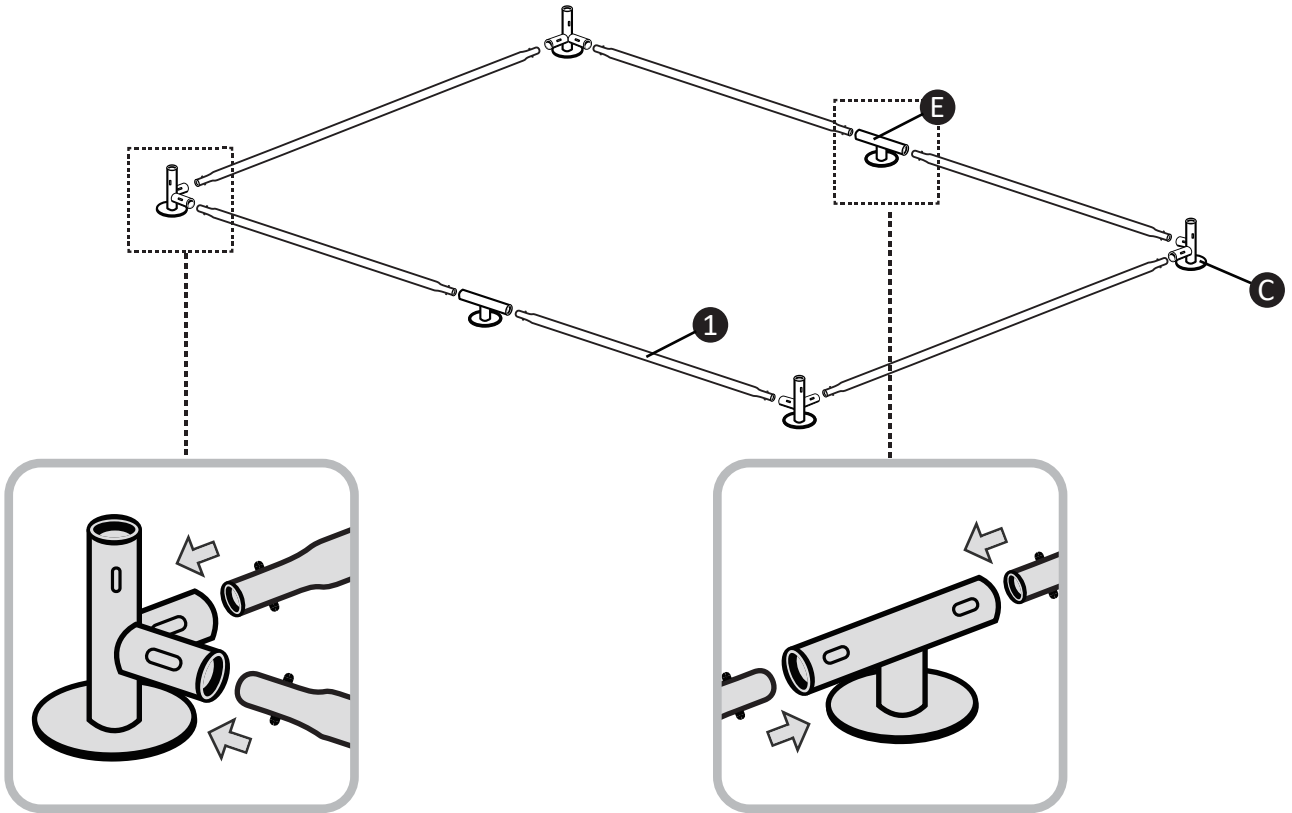
Please read this manual carefully before assembly

Part List

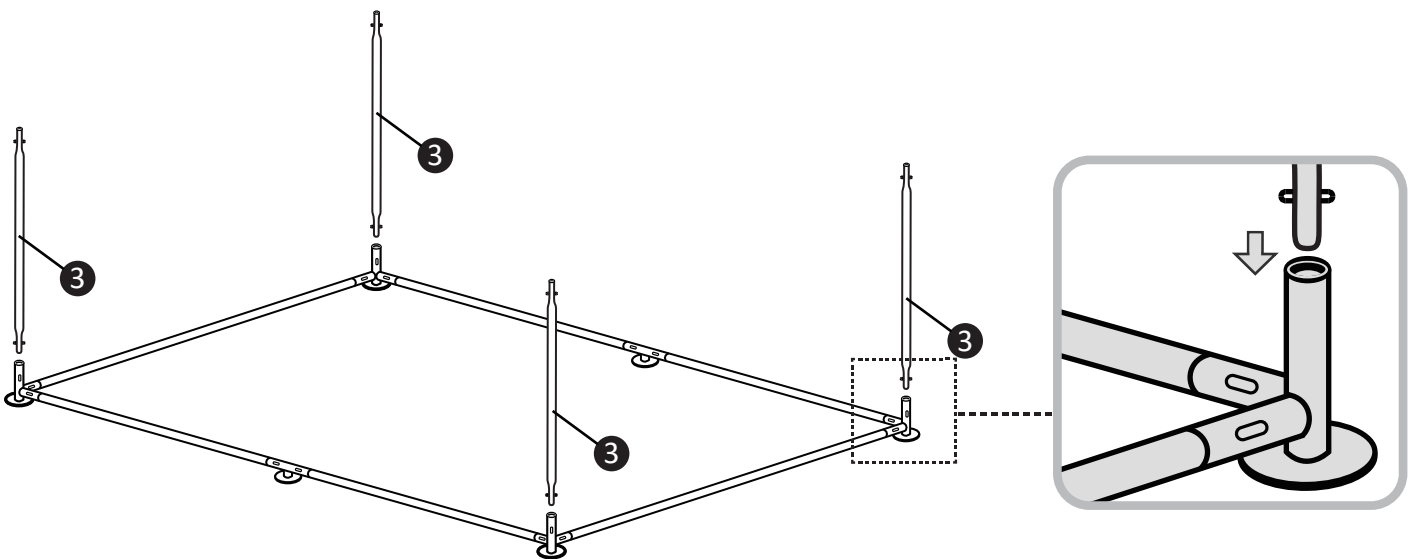
| Part No. | Part Size | Part Picture | Part Quantity | | | |
|----------|------------|---|---------------|------------|------------|------------|
| | | | 3 x 2 x 2m | 3 x 4 x 2m | 3 x 6 x 2m | 3 x 8 x 2m |
| ① | 1410mm |  | 4 | 4 | 4 | 4 |
| ② | 1870mm | | 5 | 10 | 15 | 20 |
| ③ | 970mm | | 4 | 6 | 8 | 10 |
| ④ | 1480mm | | 4 | 6 | 8 | 10 |
| ⑤ | 440mm | | 2 | 2 | 2 | 2 |
| ⑥ | 530mm | | 1 | 1 | 1 | 1 |
| A | |  | 6 | 6 | 6 | 6 |
| B | |  | 0 | 3 | 6 | 9 |
| C | |  | 4 | 4 | 4 | 4 |
| D | |  | 0 | 2 | 4 | 6 |
| E | |  | 2 | 2 | 2 | 2 |
| ⑦ | |  | 1 | 1 | 1 | 1 |
| ⑧ | |  | 1 | 1 | 1 | 1 |
| ⑨ | |  | 1 | 1 | 1 | 1 |
| F | |  | 1 | 1 | 1 | 1 |
| G | |  | 1 | 1 | 1 | 1 |
| I | |  | 2 | 2 | 2 | 2 |
| H | |  | 3 | 3 | 3 | 3 |
| J | roof cover |  | 1 | 1 | 1 | 2 |
| K | |  | 4 | 4 | 4 | 4 |

○ 3m x 2m x 2m

Step 1 - Bulding the bottom frame

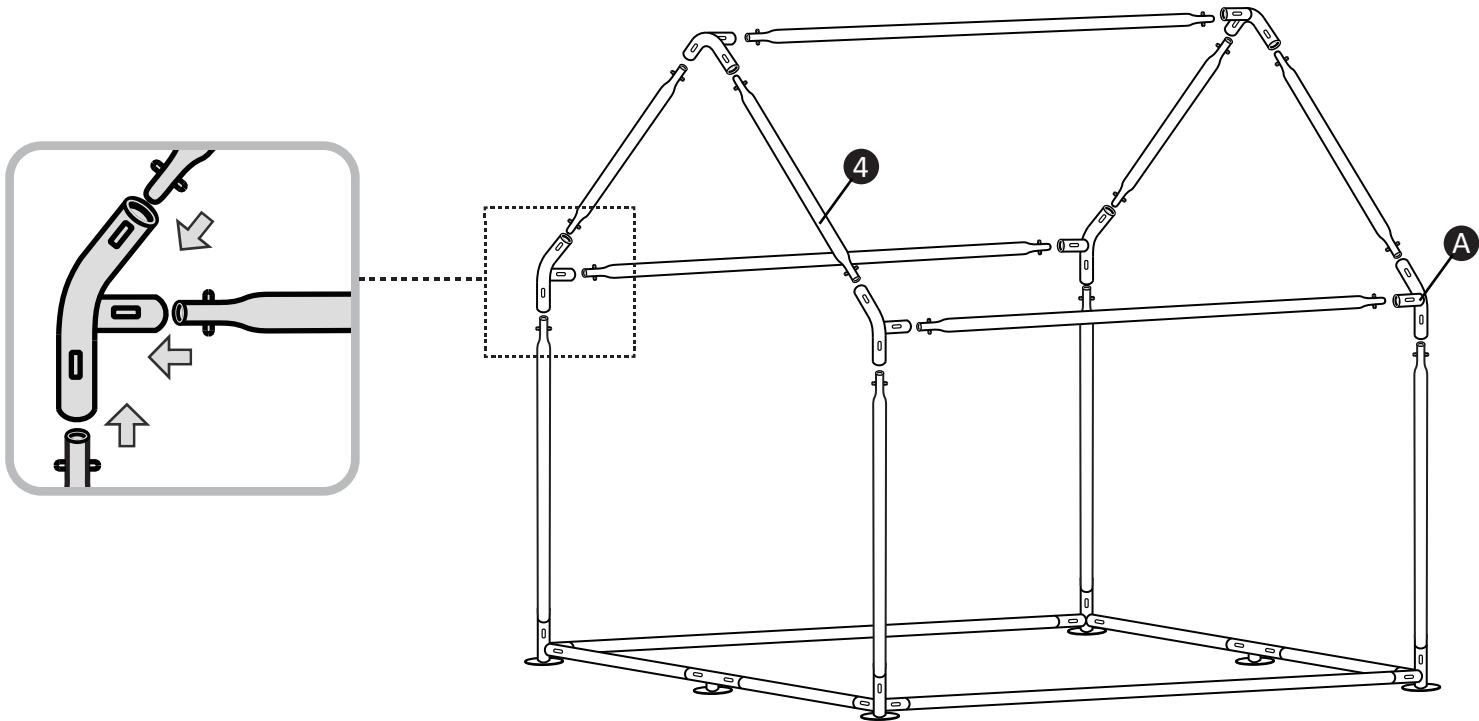


Step 2 - Fixing the column

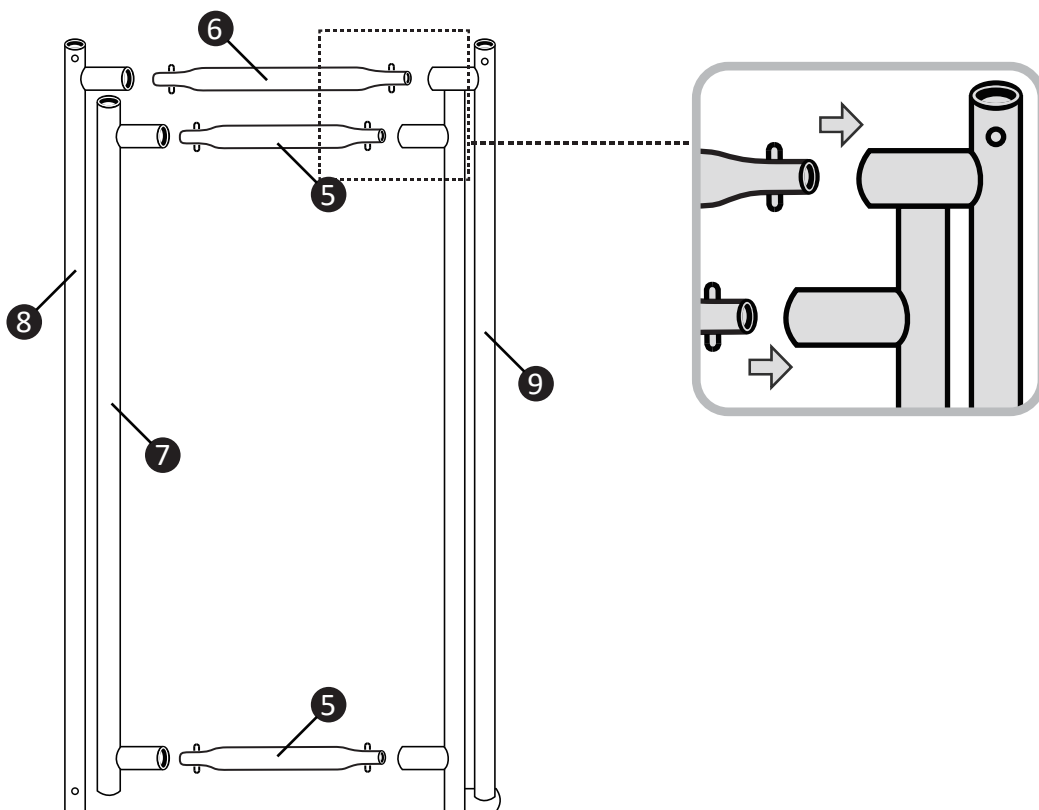


○ 3m x 2m x 2m

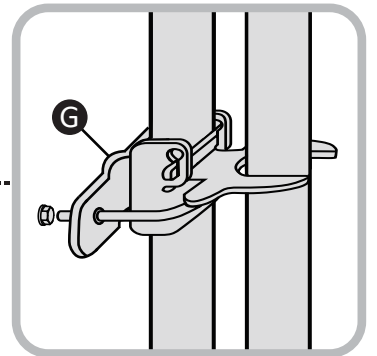
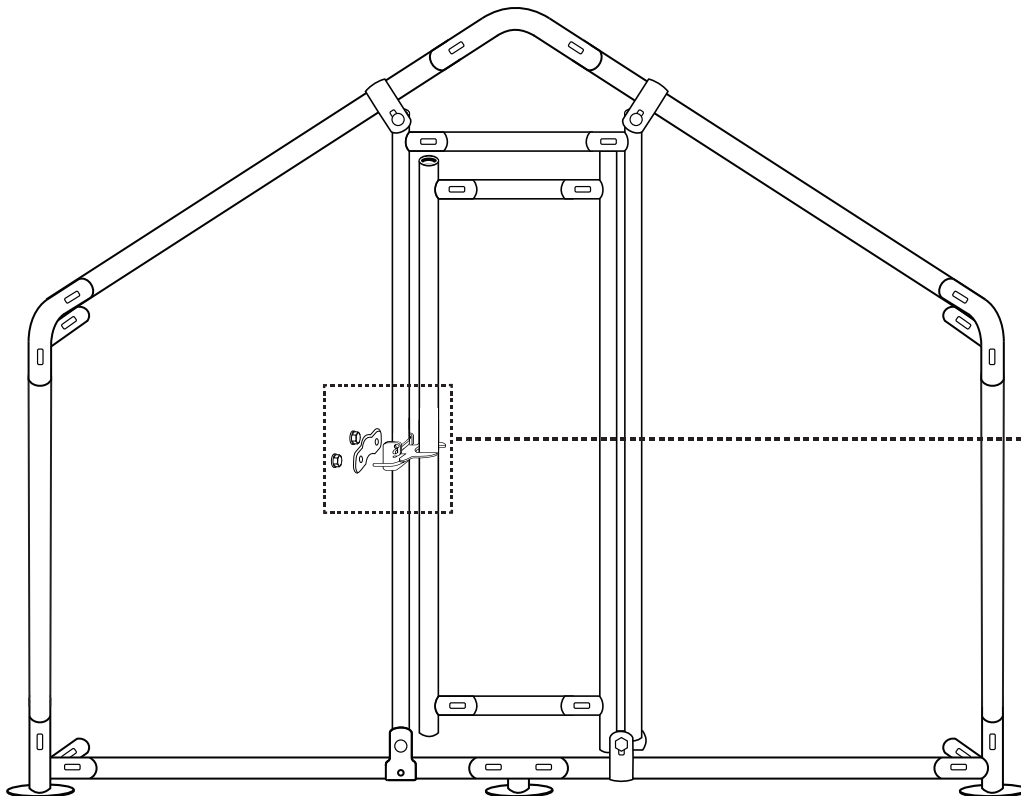
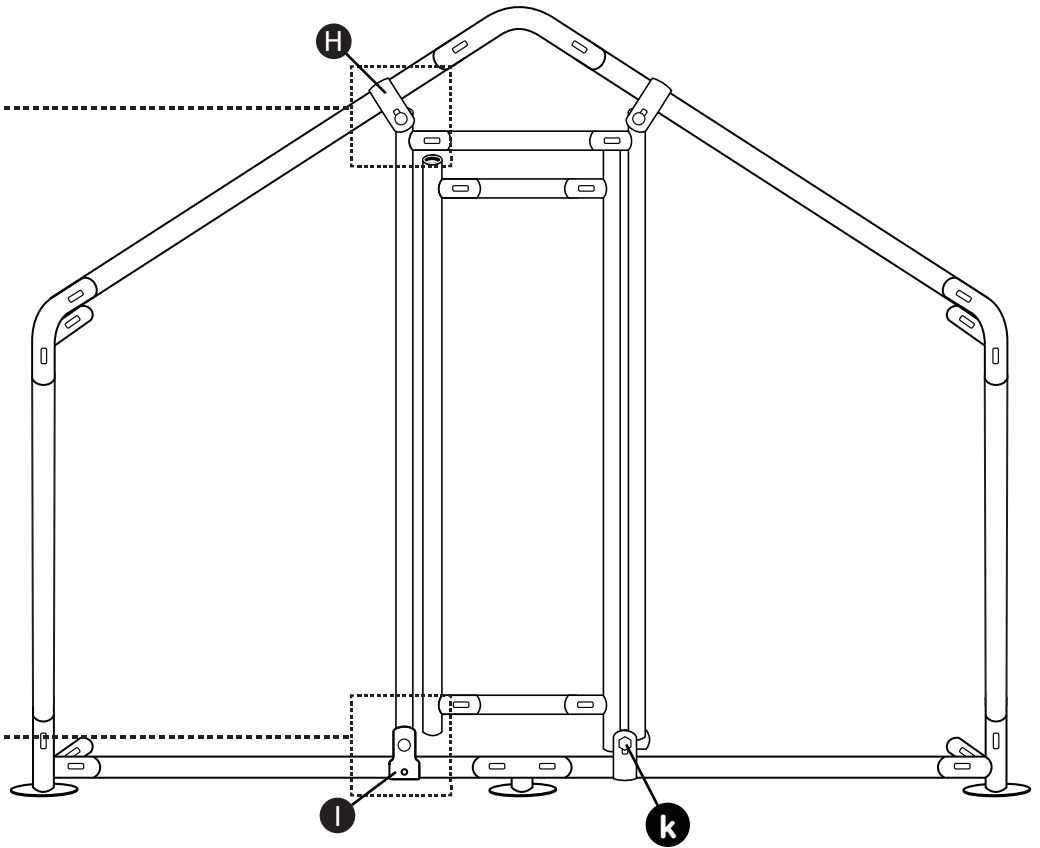
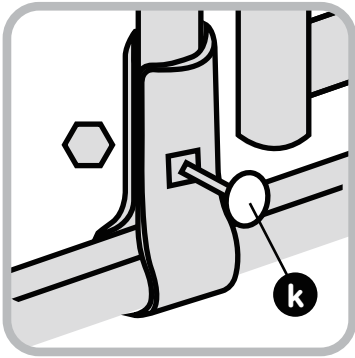
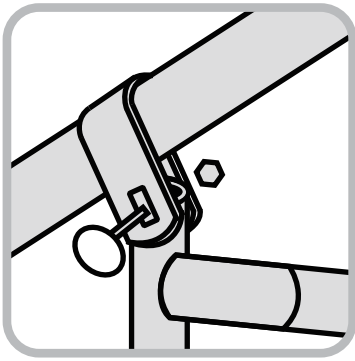
Step 3 - Bulding the top frame



Step 4 - Fixing the door

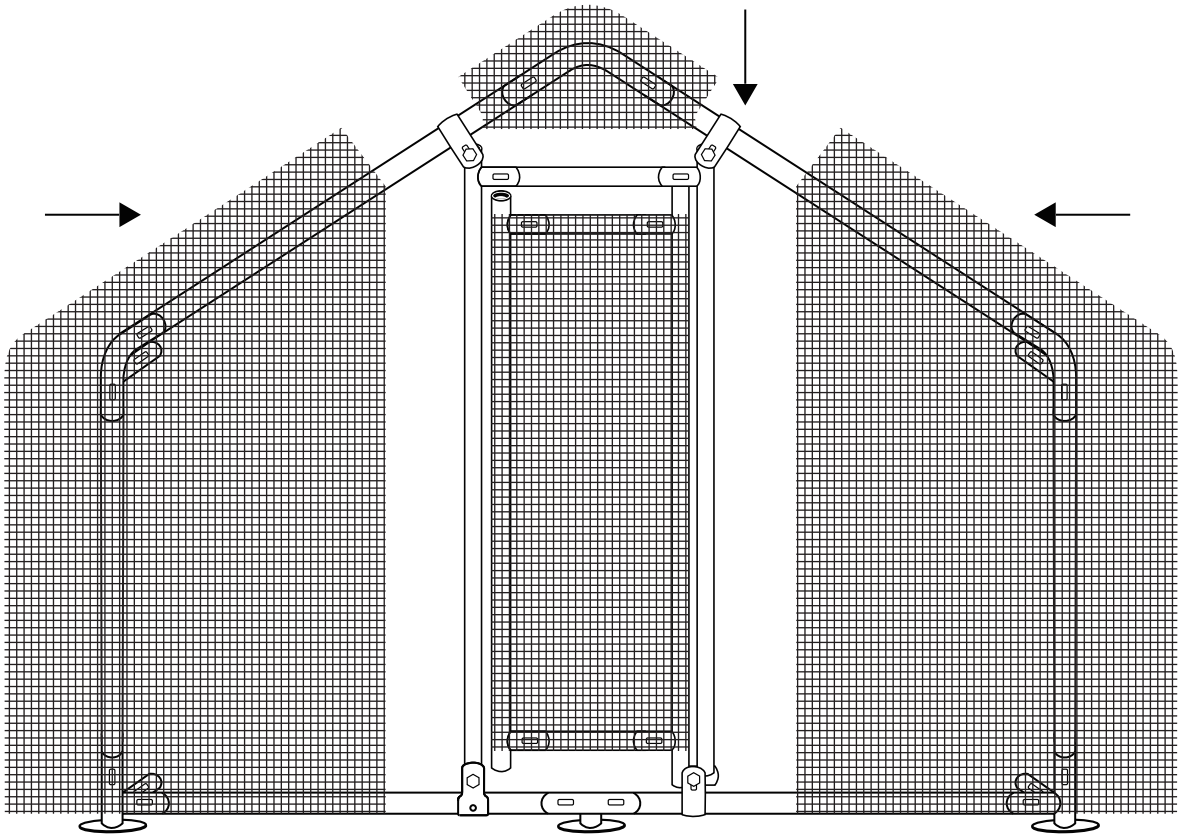
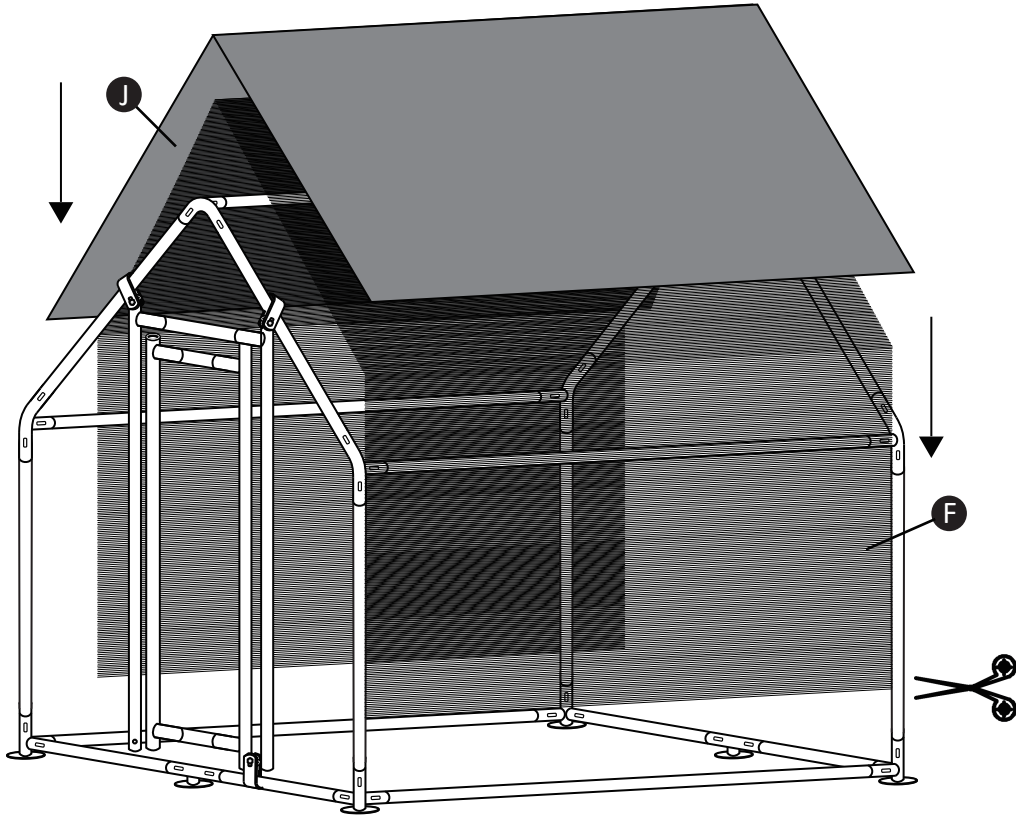


3m x 2m x 2m



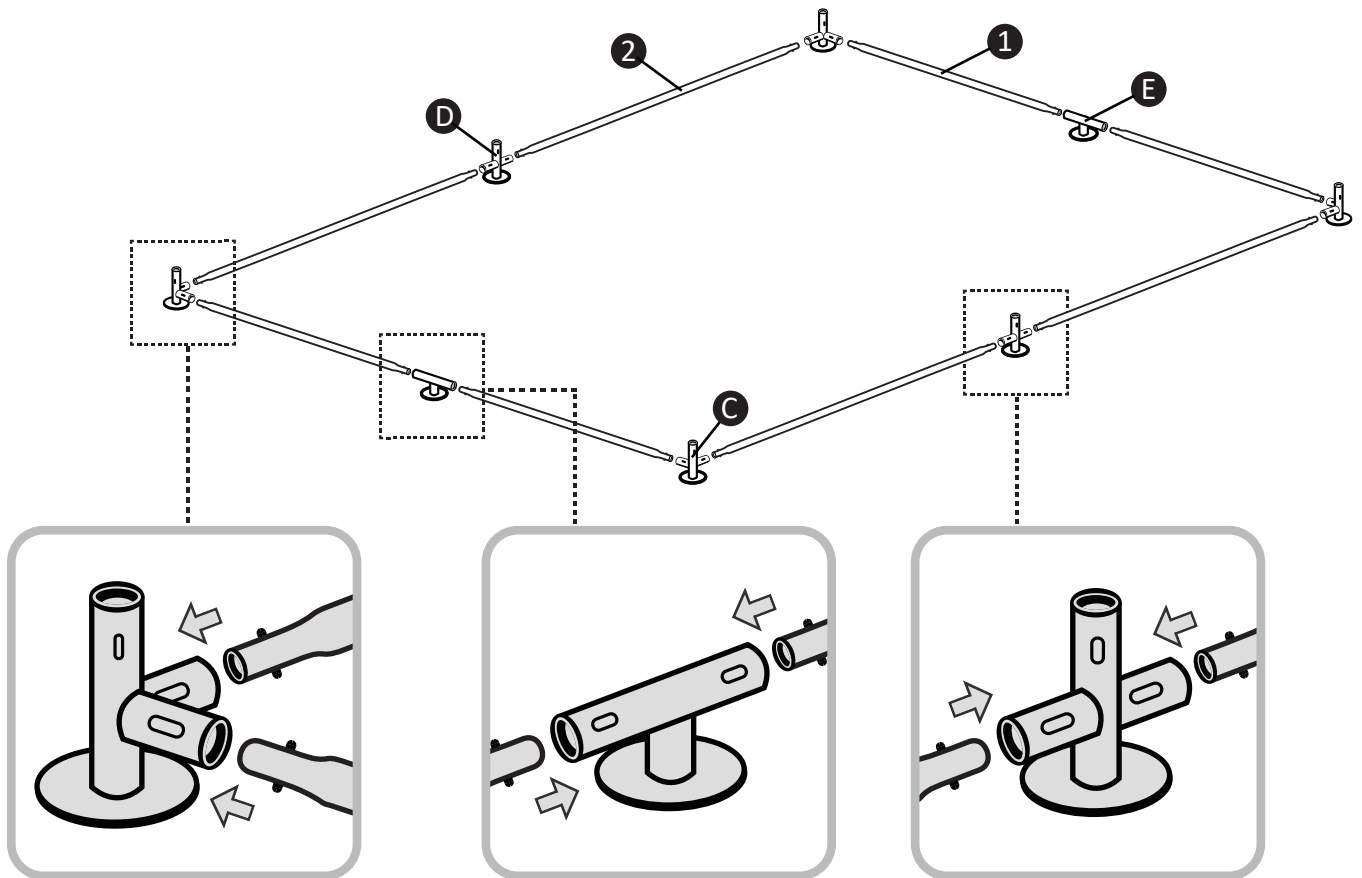
○ 3m x 2m x 2m

Step 5 - Fixing the roofcover and mesh

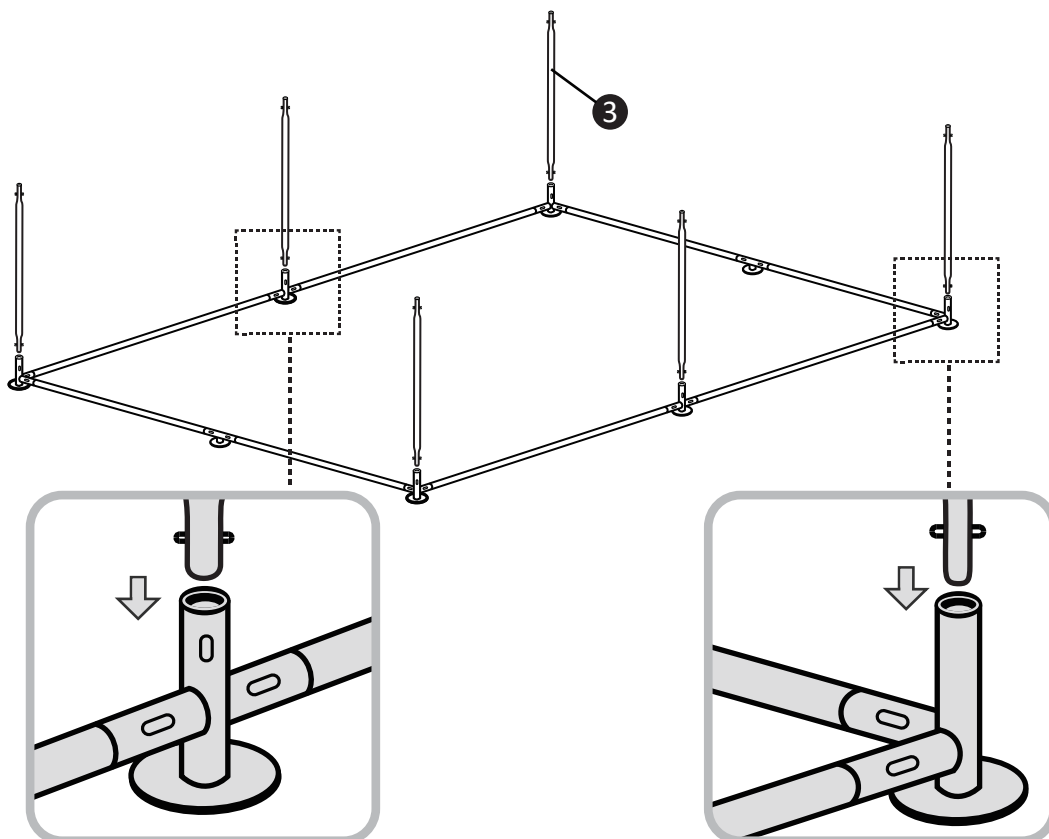


3m x 4m x 2m

Step 1 - Bulding the bottom frame

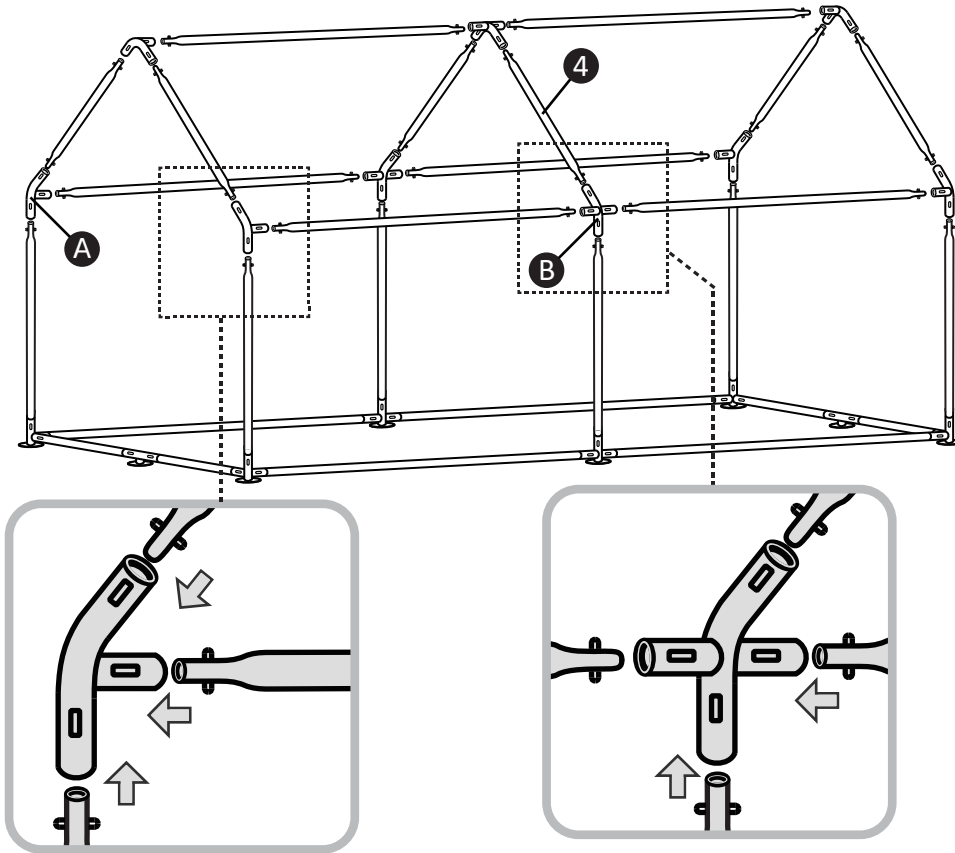


Step 2 - Fixing the column

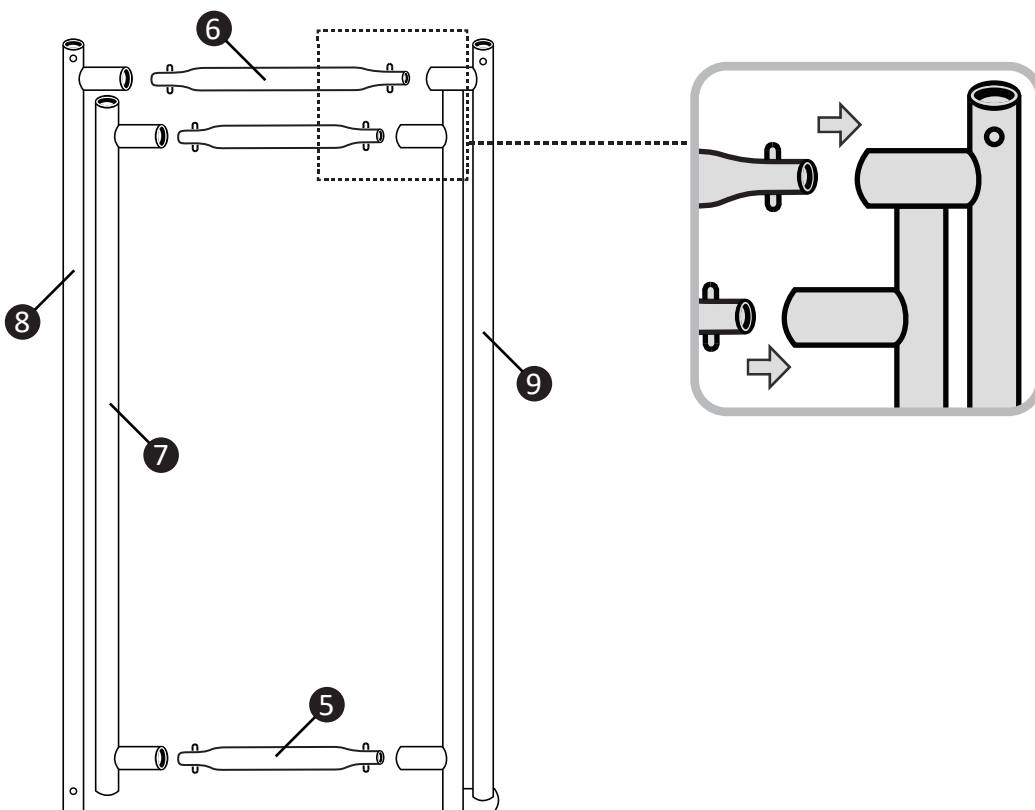


3m x 4m x 2m

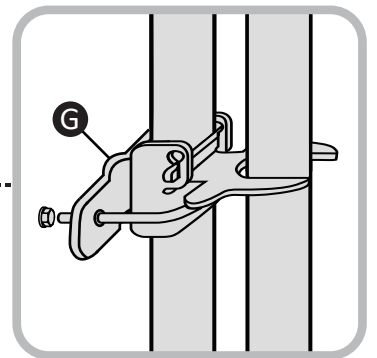
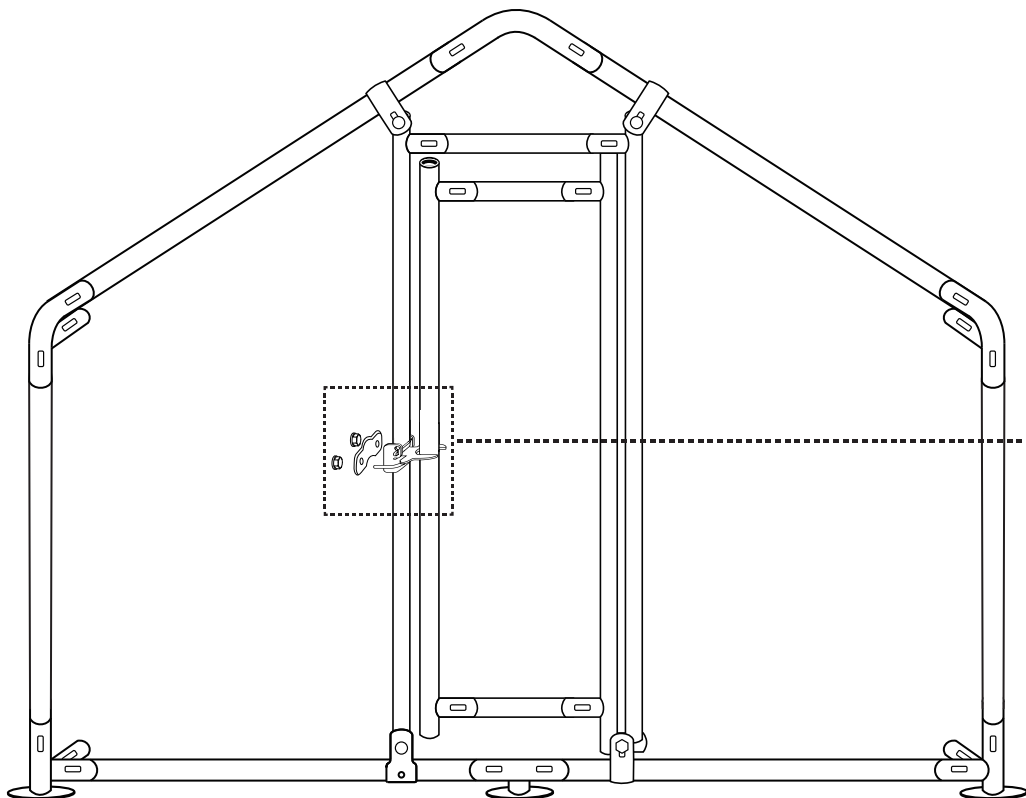
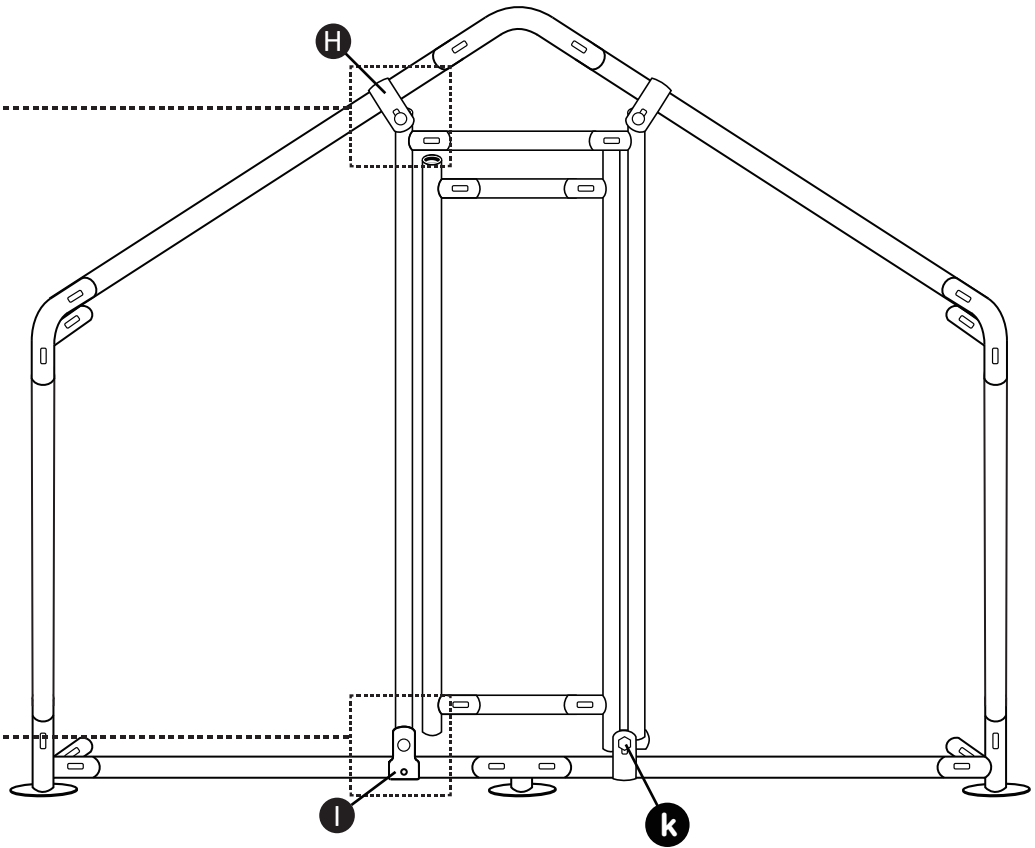
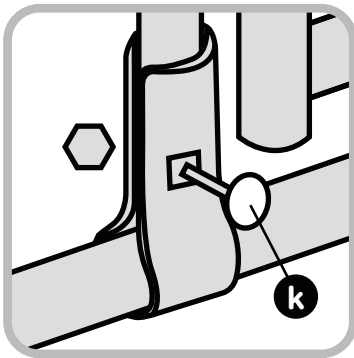
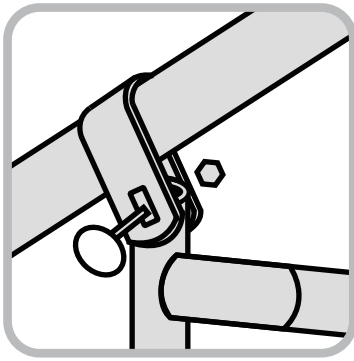
Step 3 - Bulding the top frame



Step 4 - Fixing the door

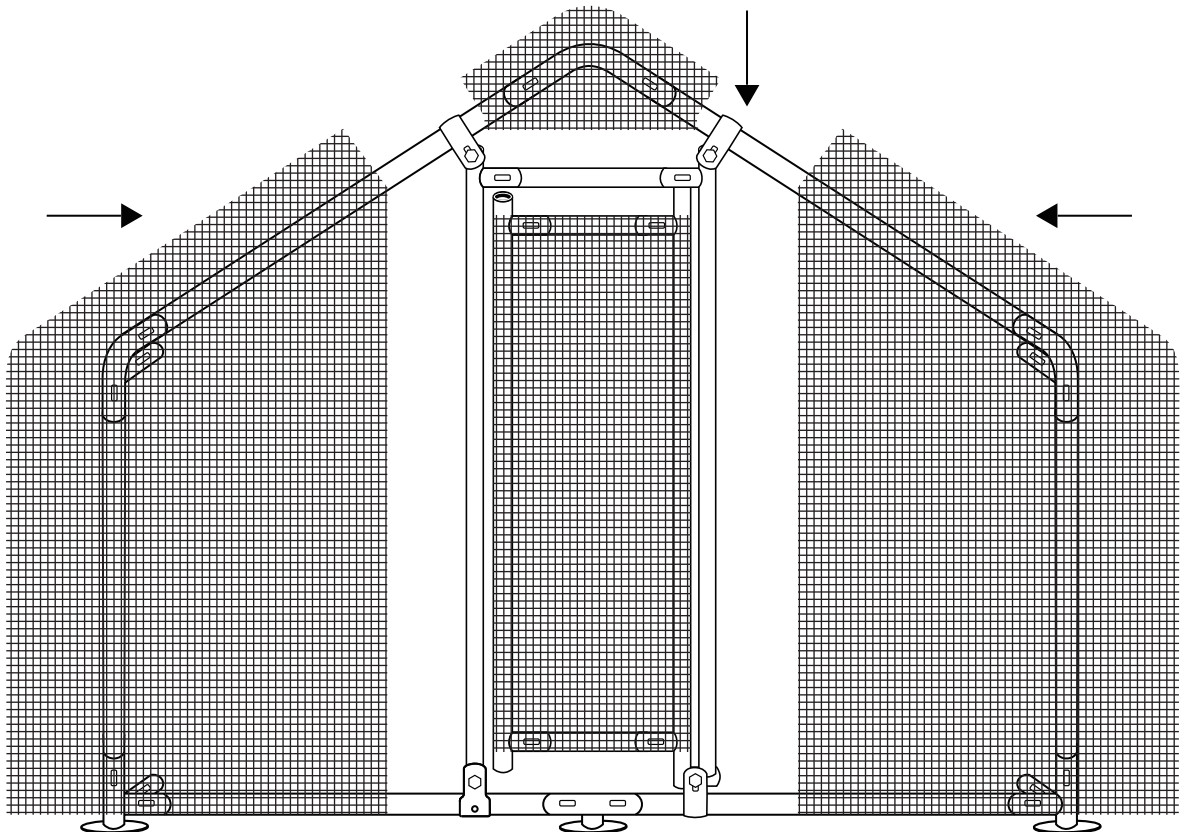
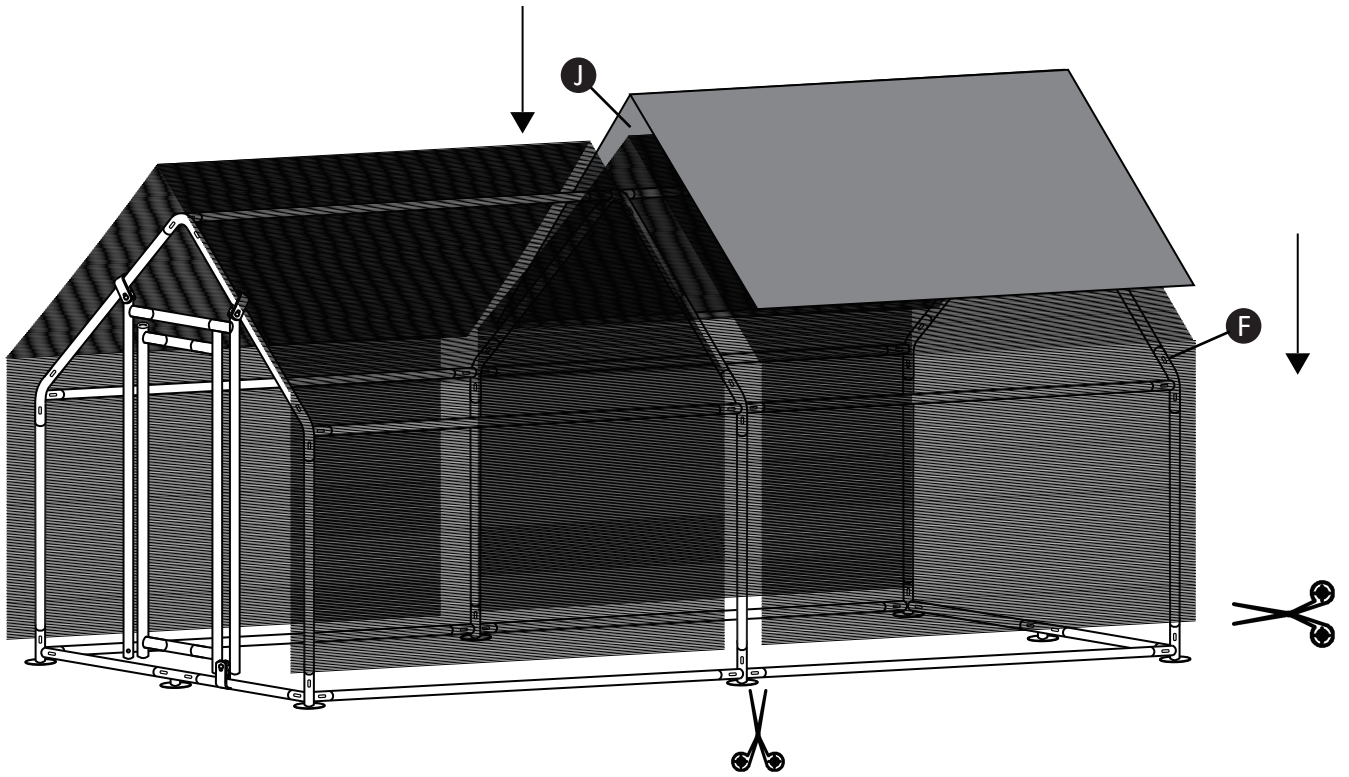


3m x 4m x 2m



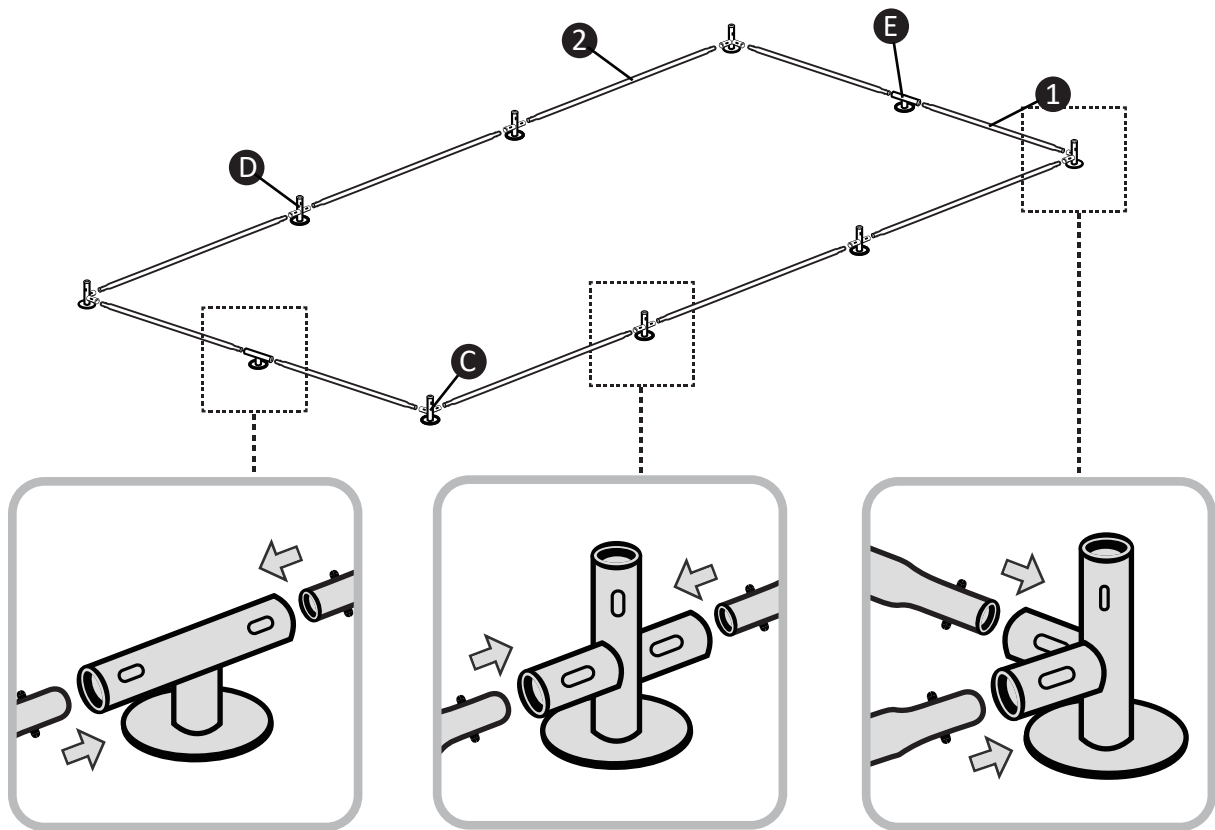
○ 3m x 4m x 2m

Step 5 - Fixing the roofcover and mesh

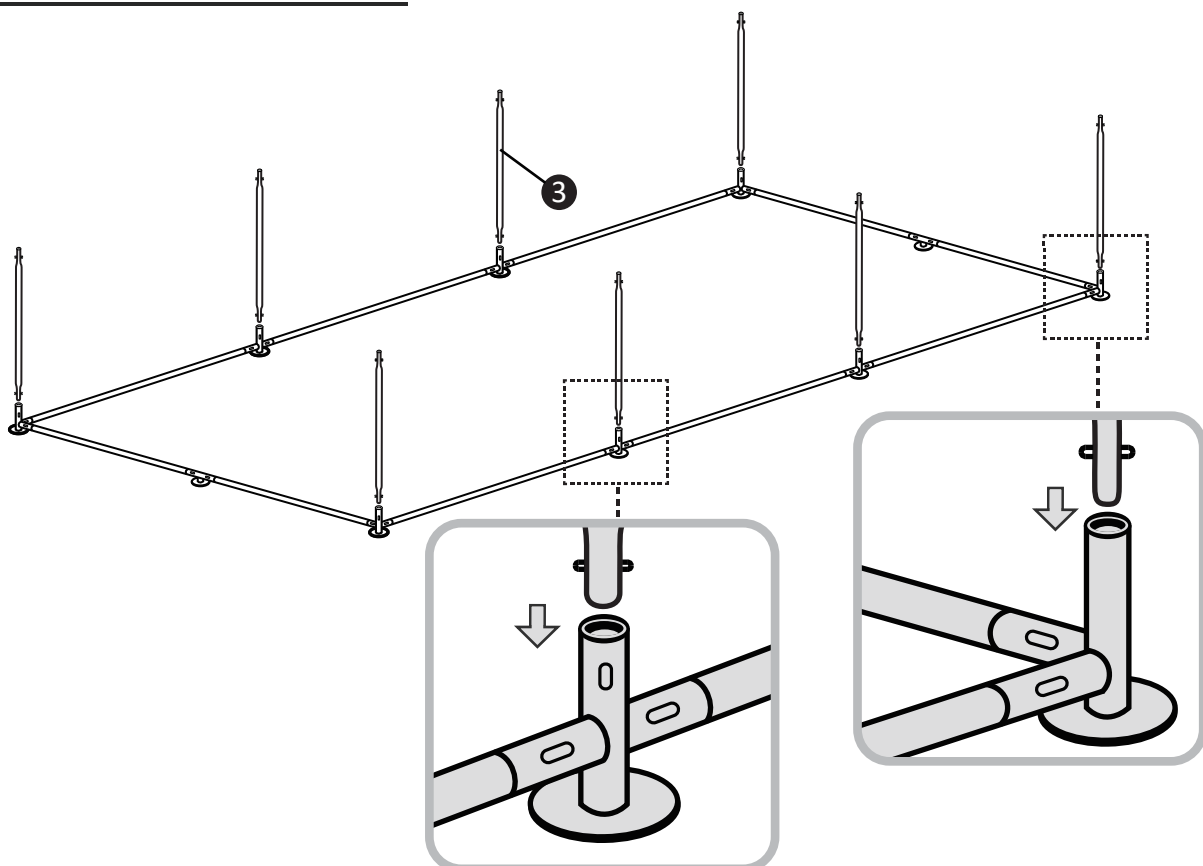


3m x 6m x 2m

Step 1 - Building the bottom frame

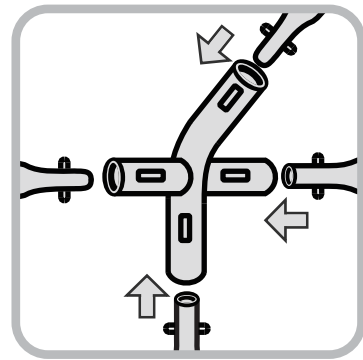
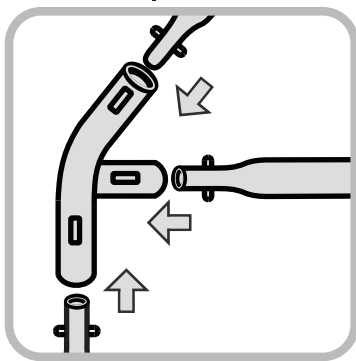
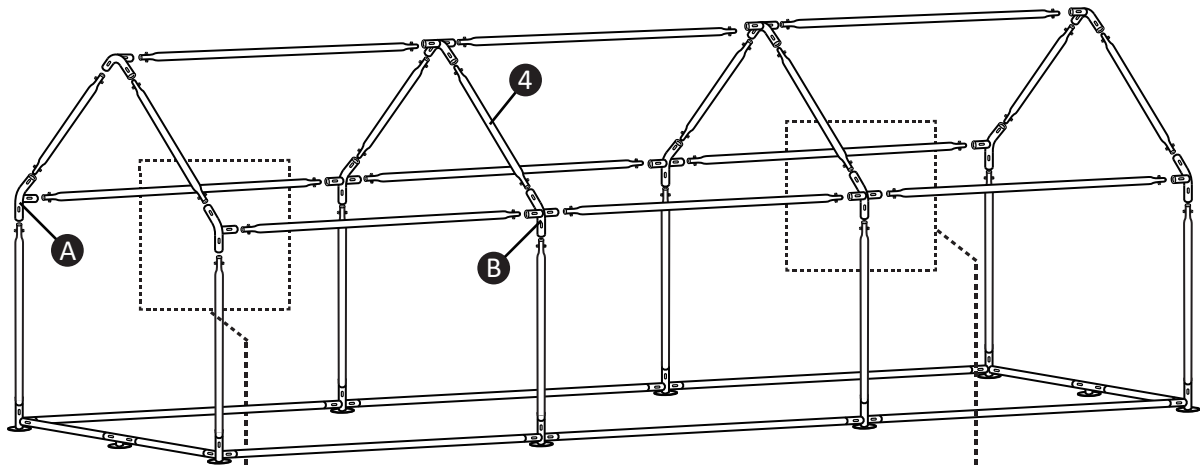


Step 2 - Fixing the column

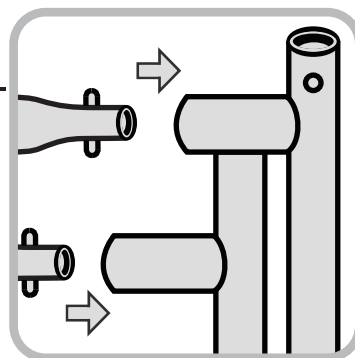
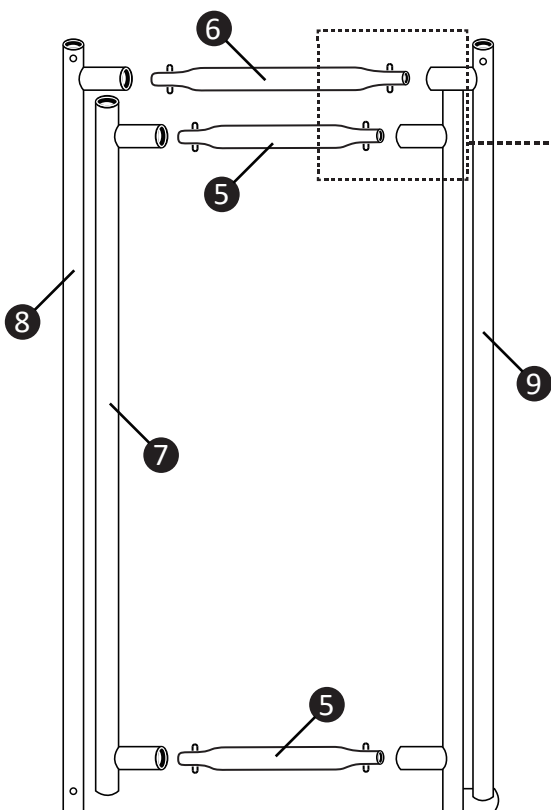


3m x 6m x 2m

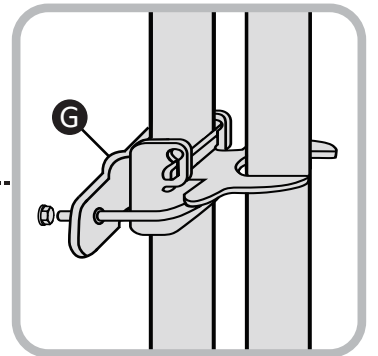
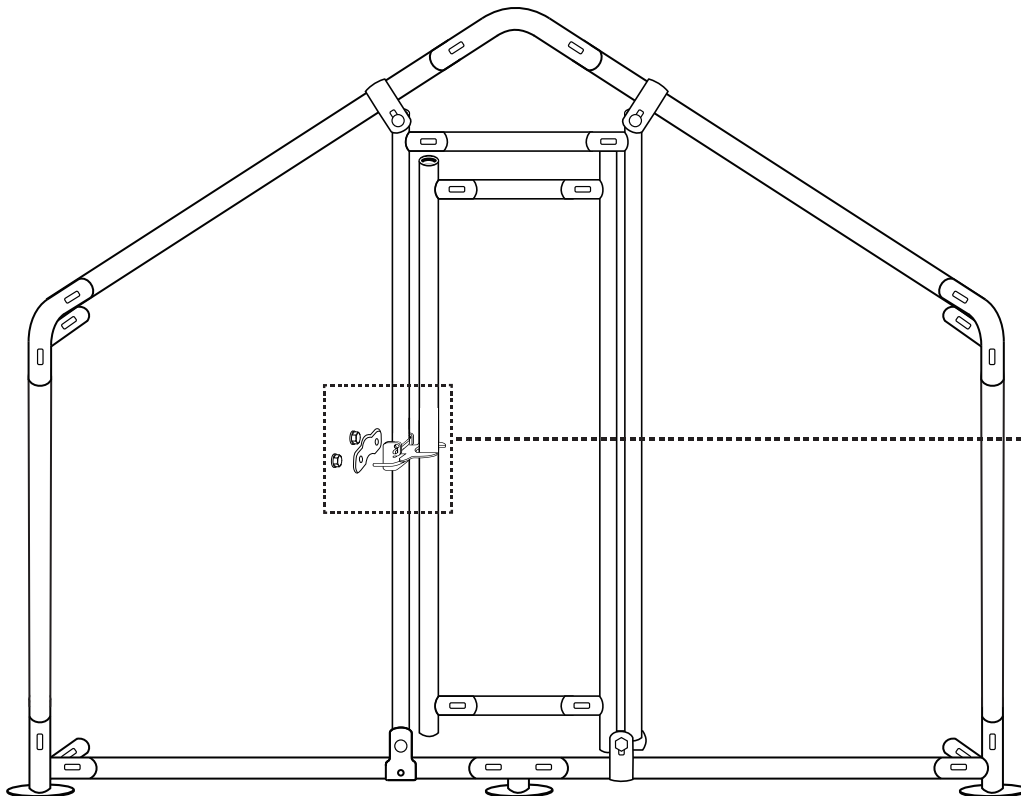
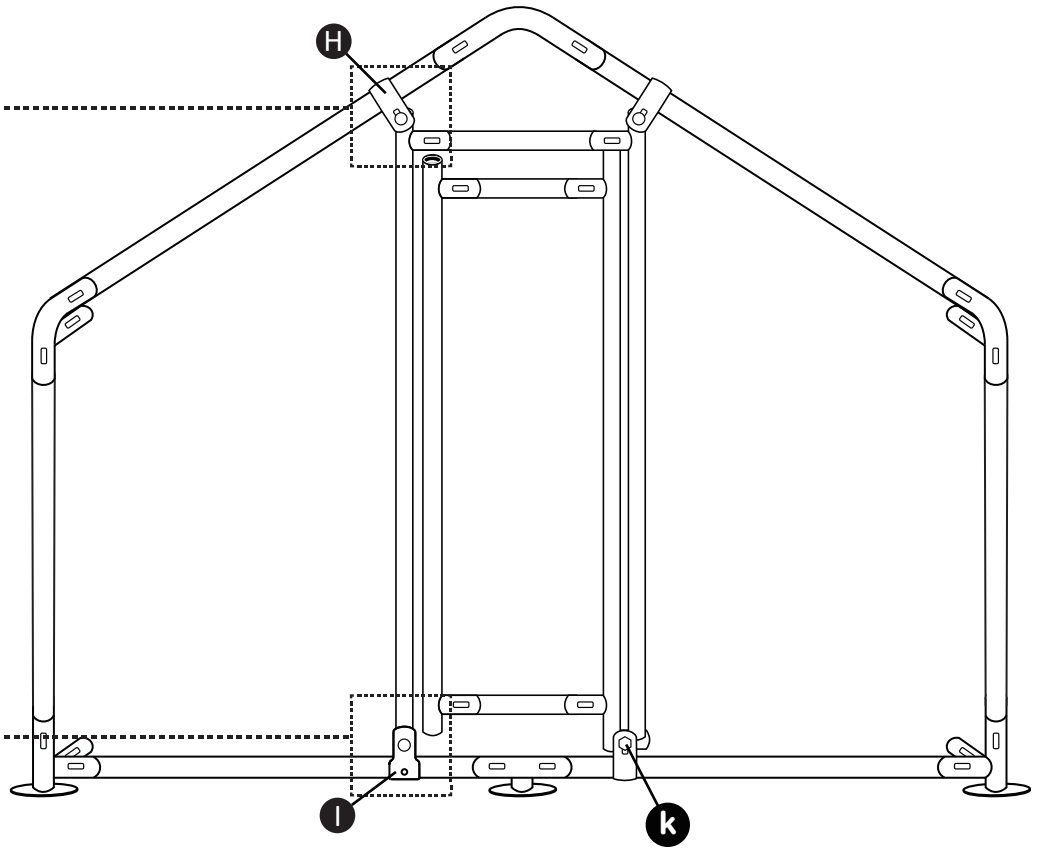
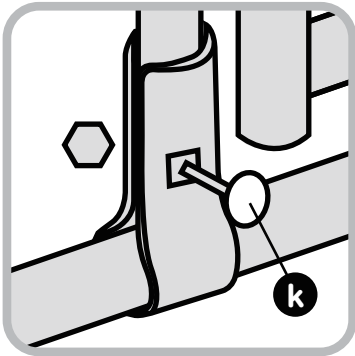
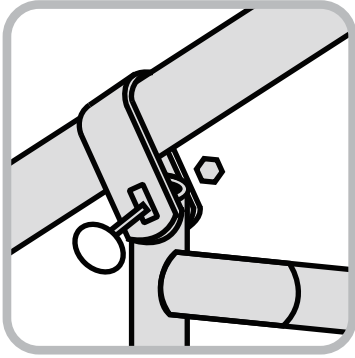
Step 3 - Building the top frame



Step 4 - Fixing the door

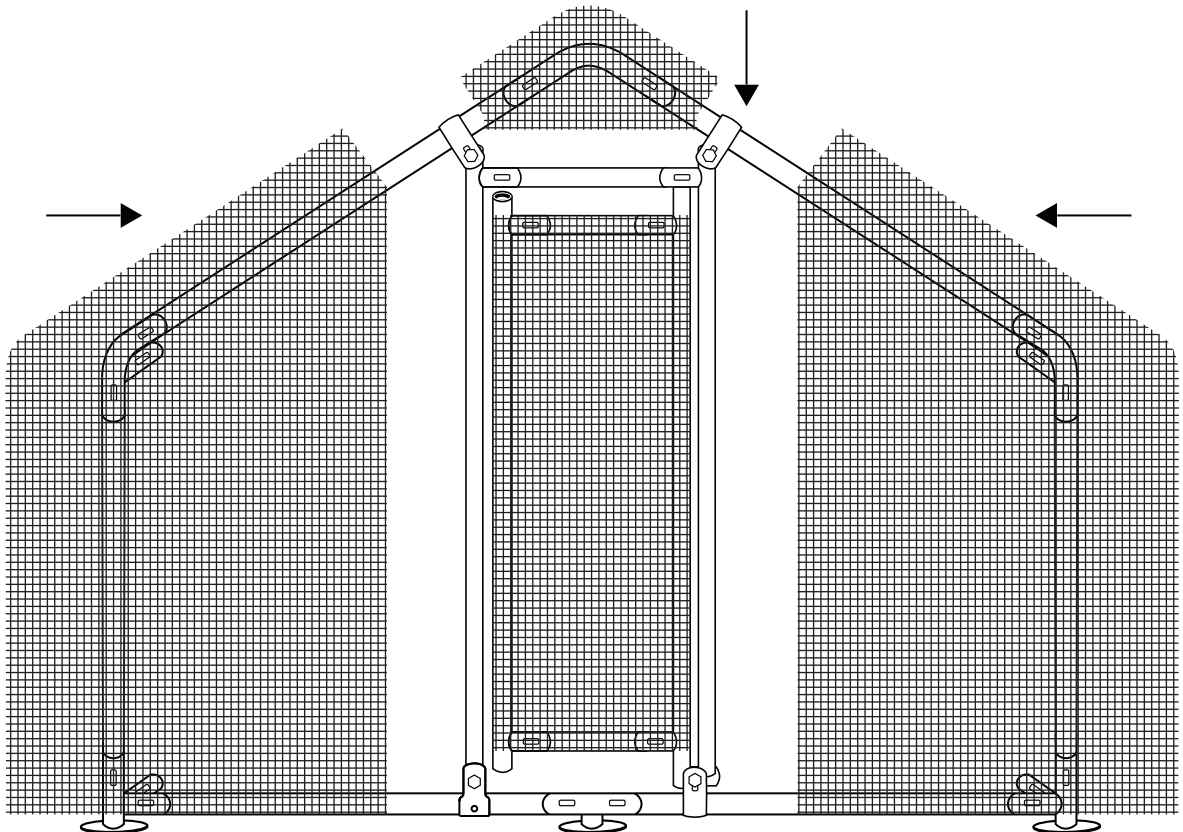
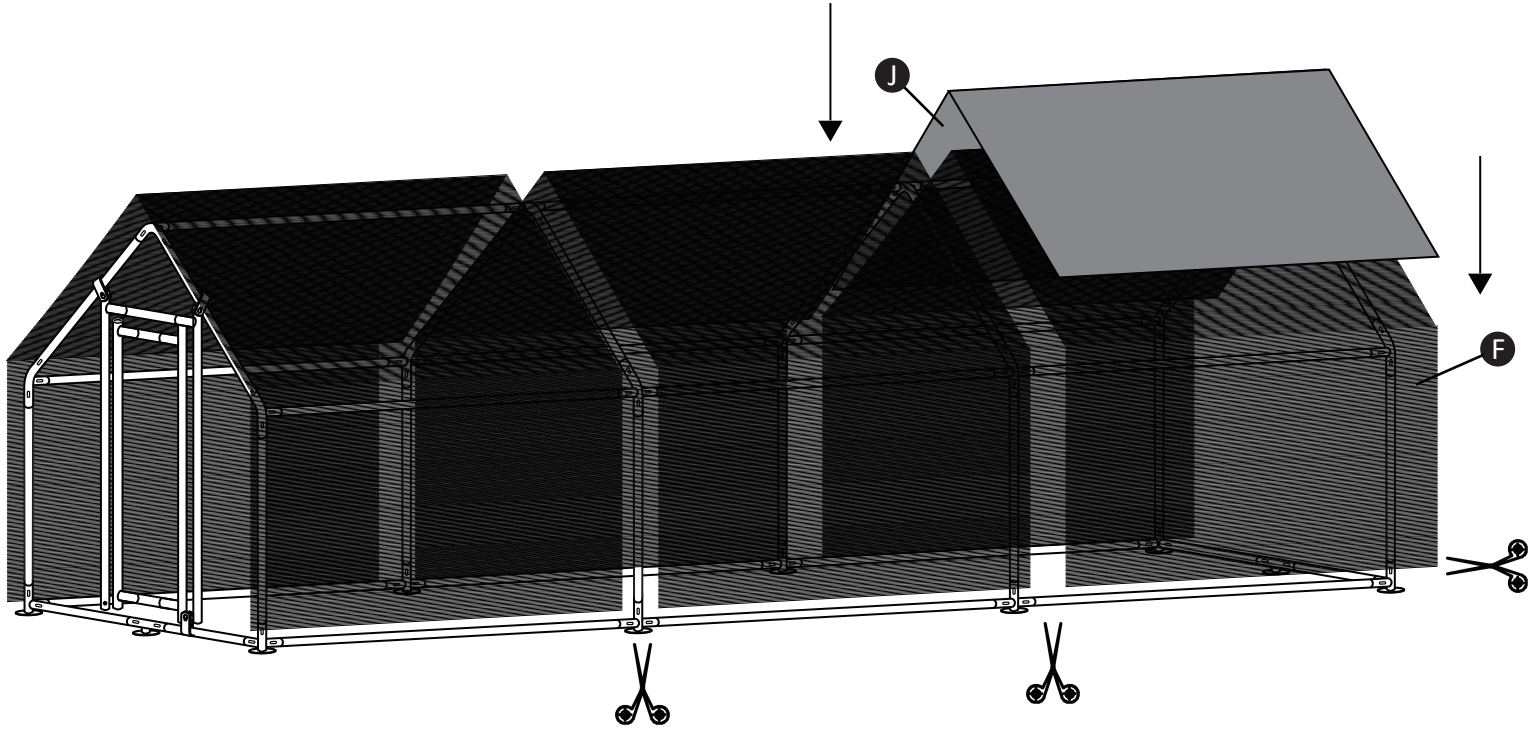


3m x 6m x 2m



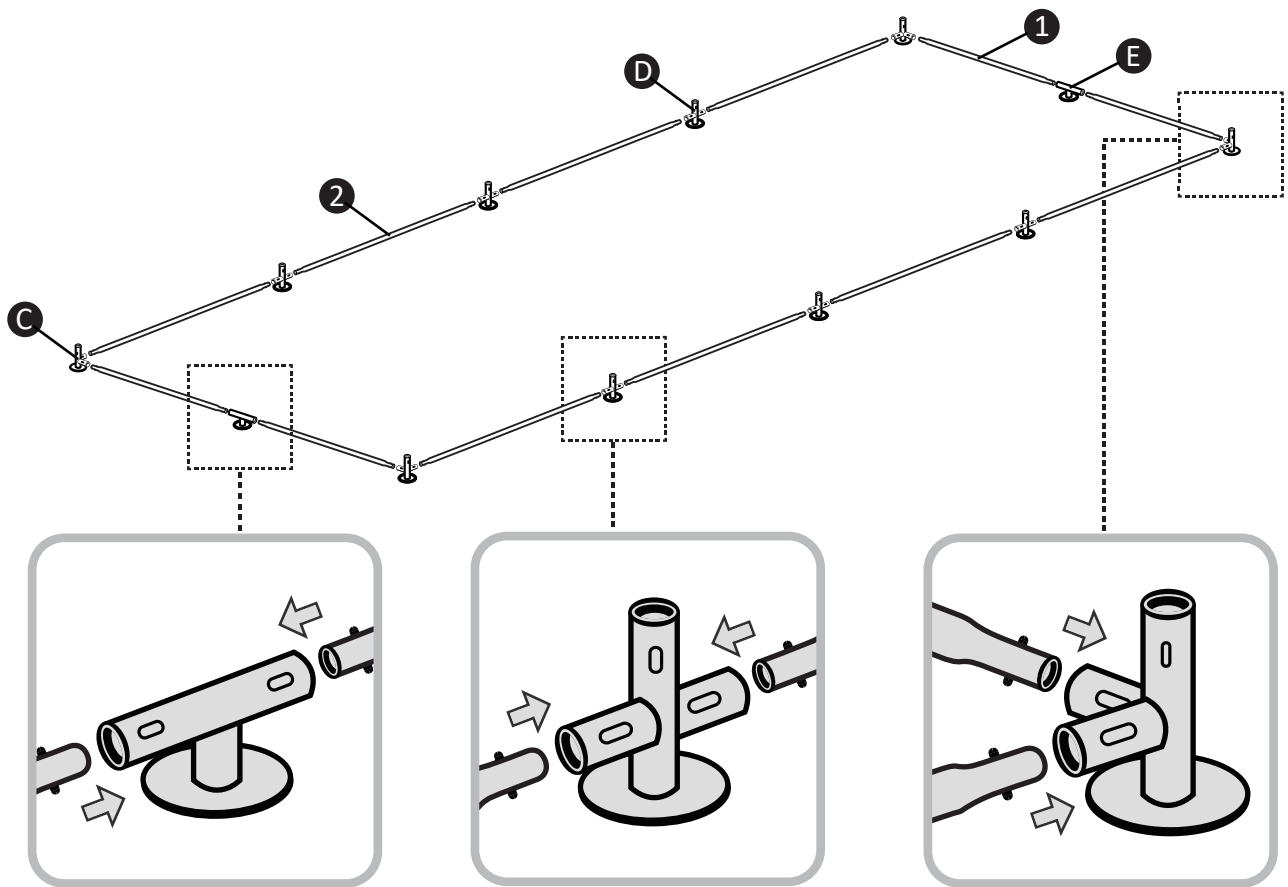
○ 3m x 6m x 2m

Step 5 - Fixing the roofcover and mesh

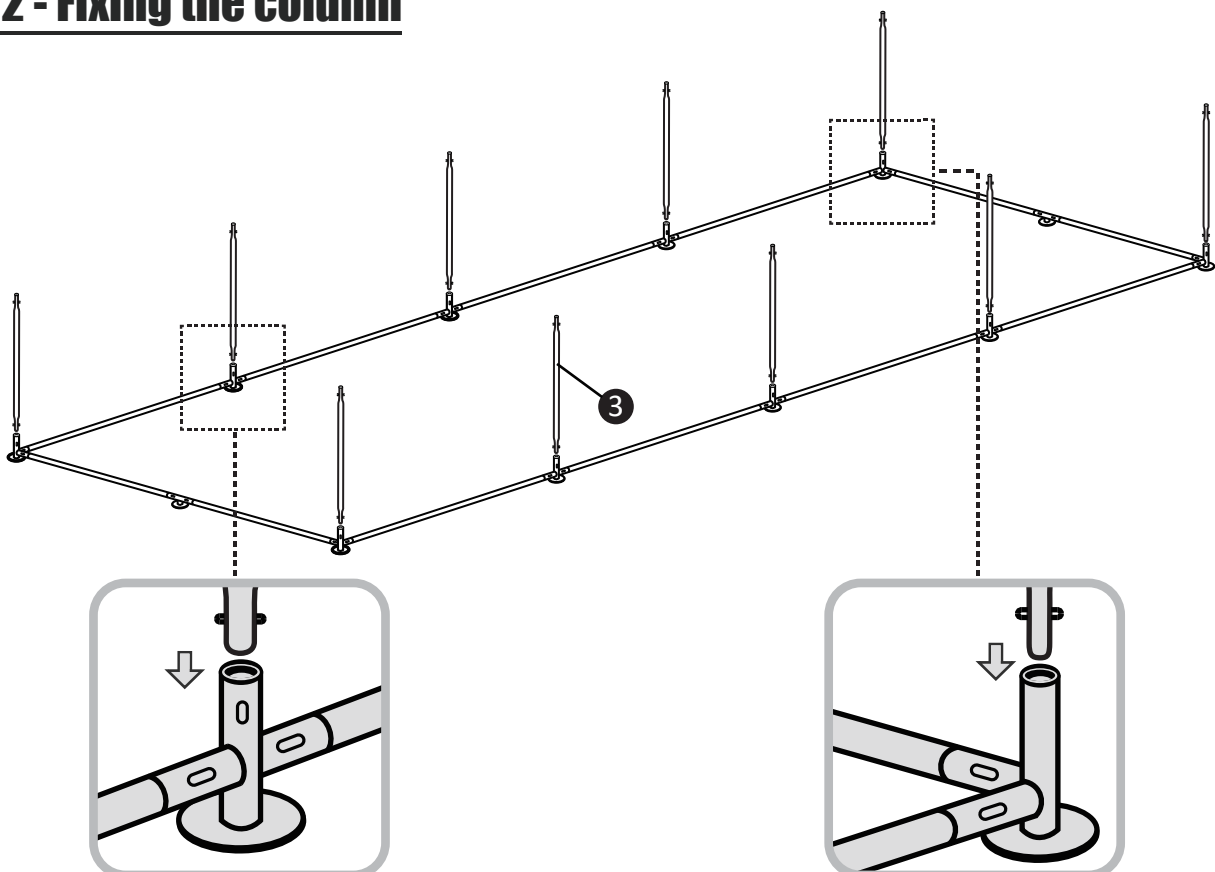


3m x 8m x 2m

Step 1 - Bulding the bottom frame

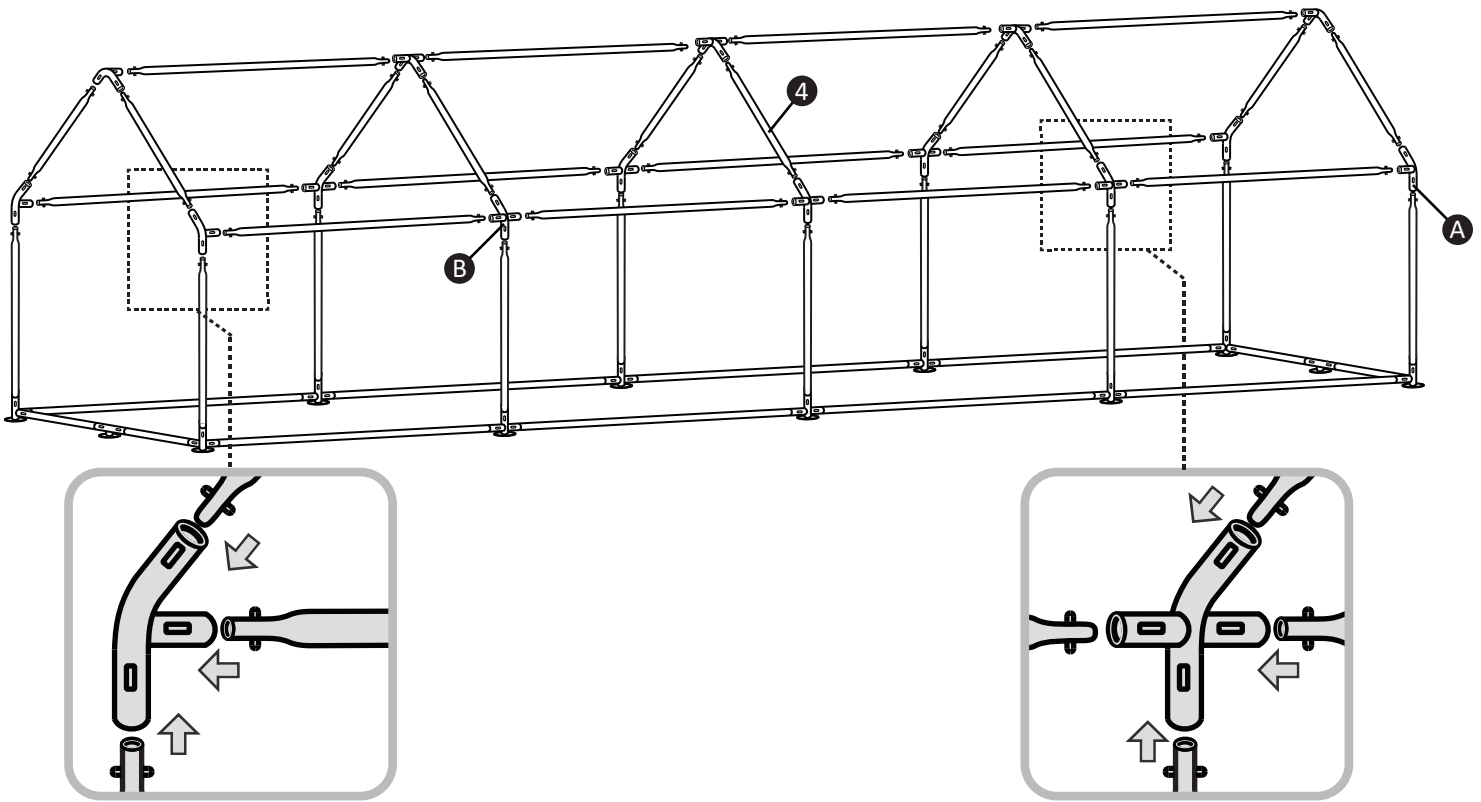


Step 2 - Fixing the column

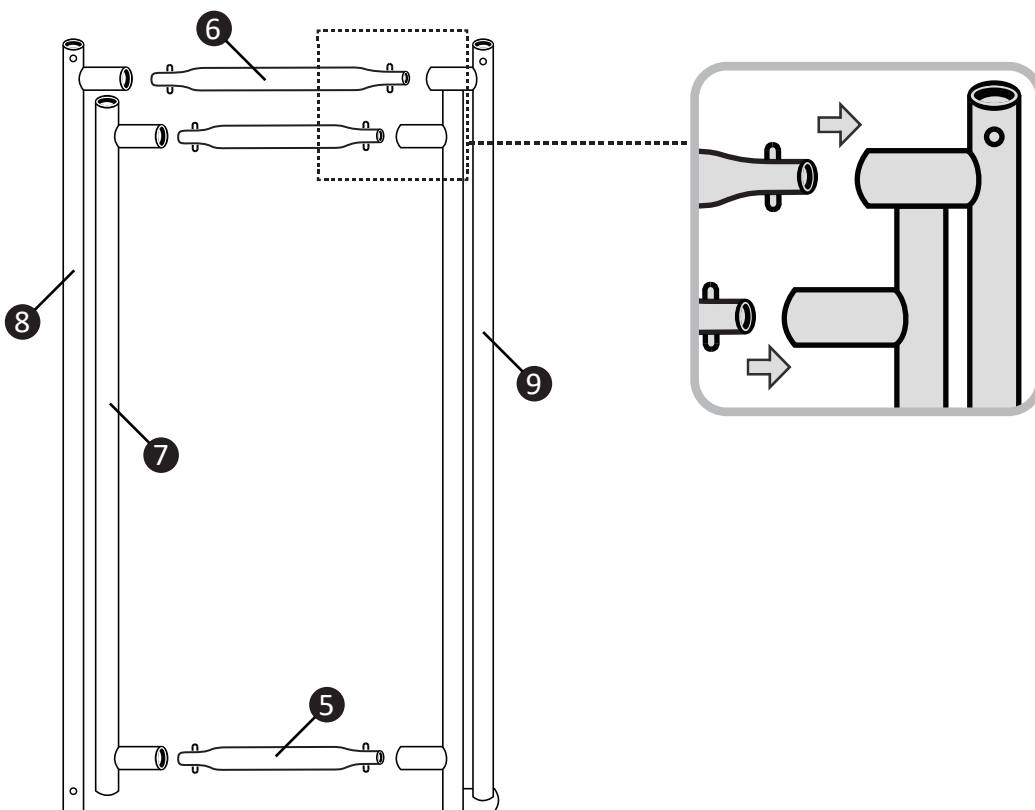


3m x 8m x 2m

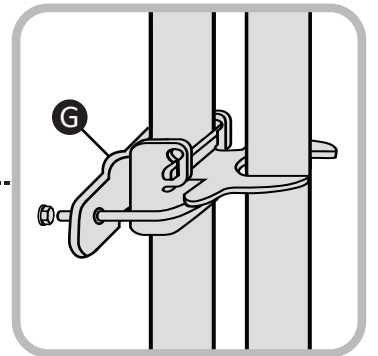
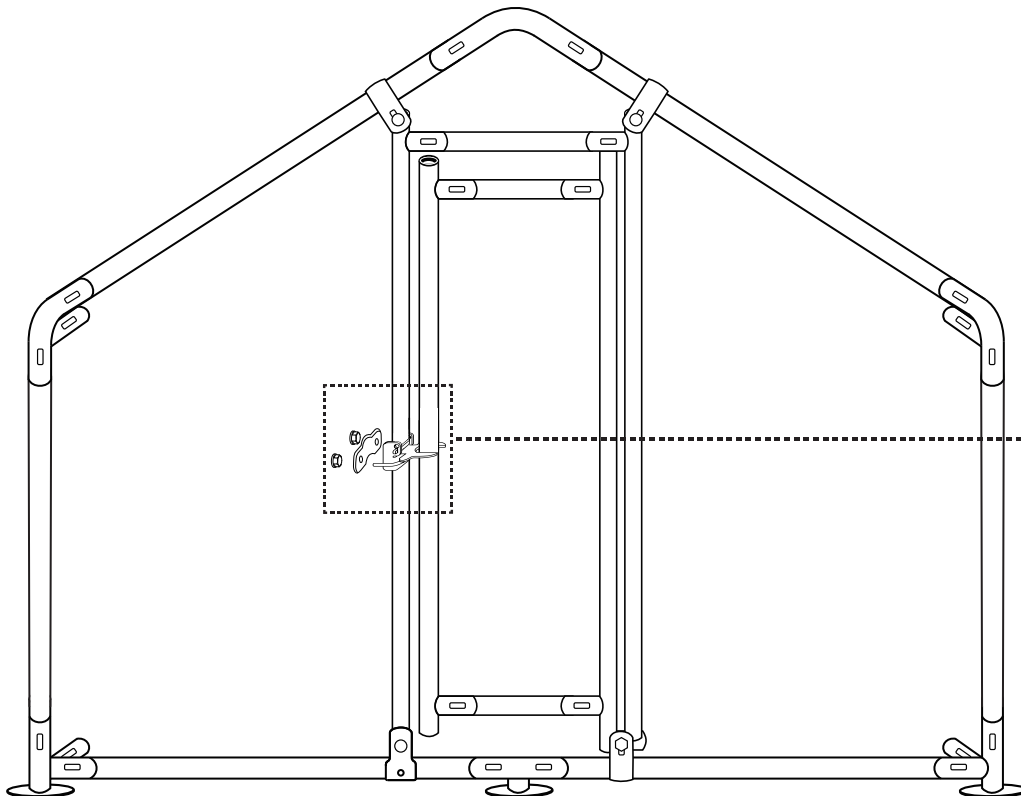
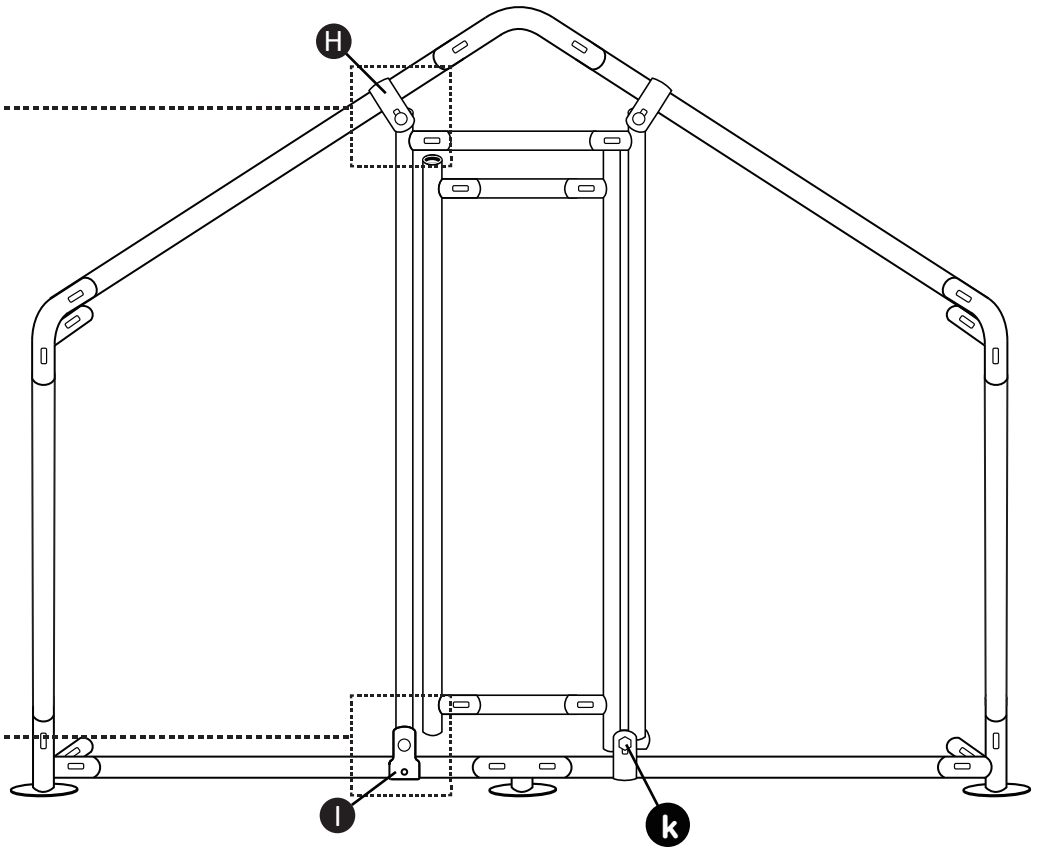
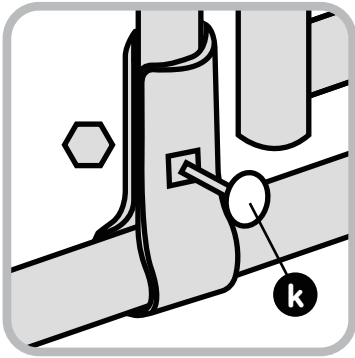
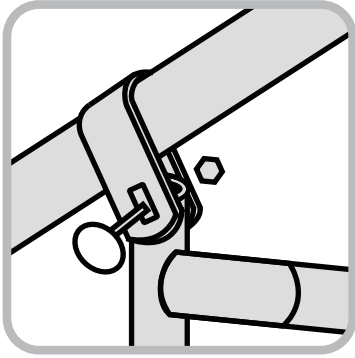
Step 3 - Bulding the top frame



Step 4 - Fixing the door



3m x 8m x 2m



○ 3m x 8m x 2m

Step 5 - Fixing the roofcover and mesh

